

Horizontal Fiber Optic Splice Closure

CH018

Description:

CH018 is a small fiber optic splice closure that made of high-quality ABS material. It is widely applied to the splicing and distributing variable optical cables.



1.Product Features:

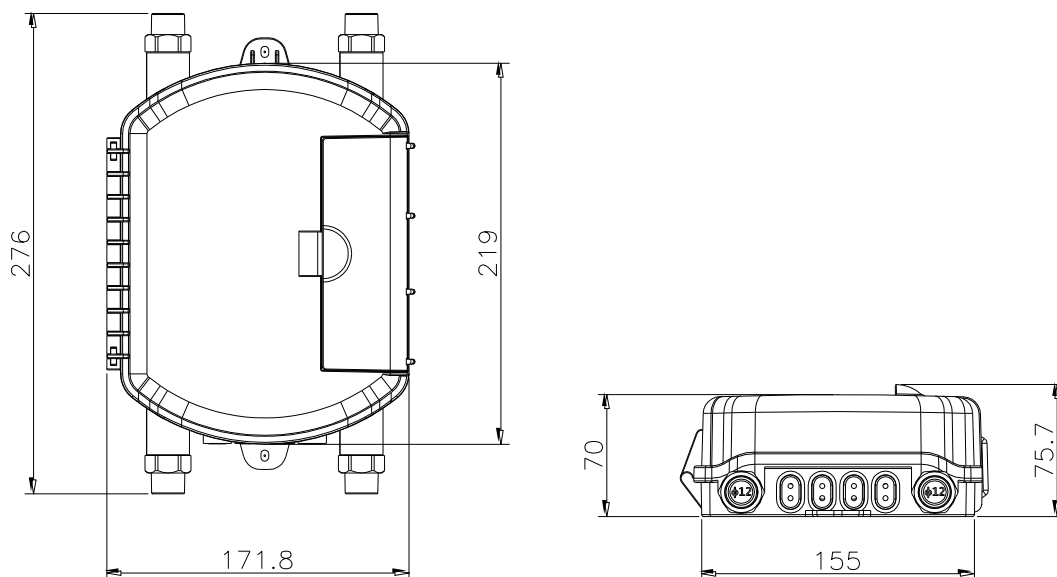
Special double D box body design, light weight, compact structure.

Cable input & output is mechanical sealing

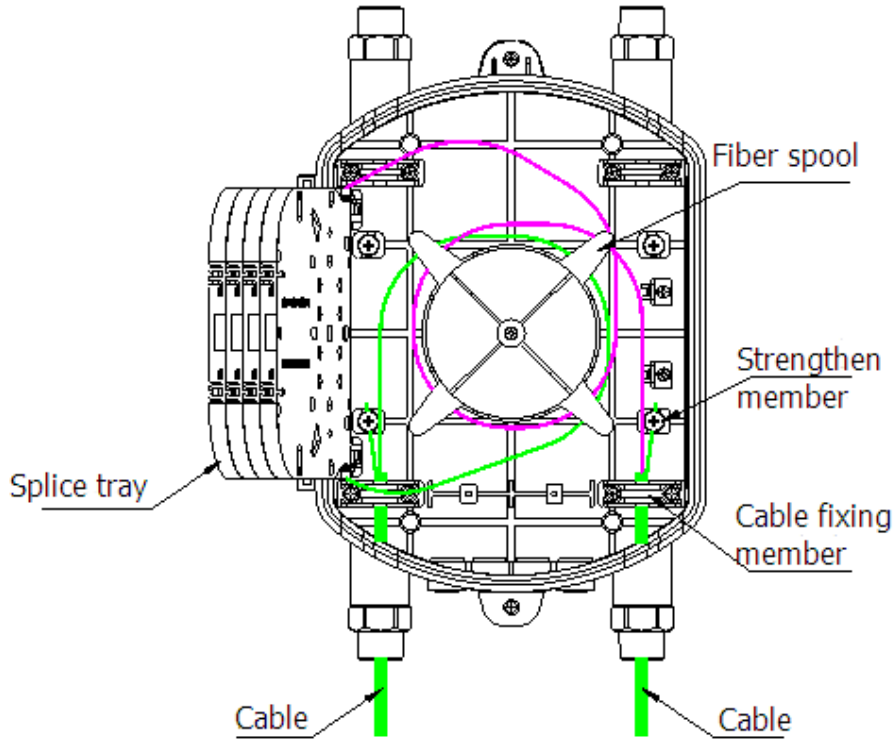
Waterproof IP65.

Box body use ABS material.

2.Dimension:



3. Cable arrangement:



4. Configuration:

Product Model	Fiber count	Splitter	Splice tray Model&Qty	Cable port diameter
CH018	48C	/	4PCS OST-025	2pcs ϕ 8mm; 2pcs ϕ 12mm

5. Packing information:

Carton size	G.W.	Qty/ctn
39*30*44cm	15KG	10pcs